

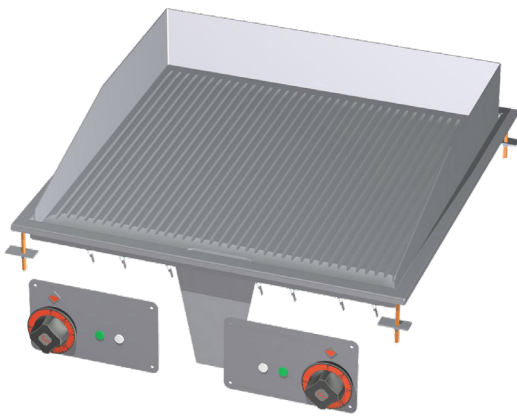
# Technical data sheet

## Product features



### Fry-top griddle plate 56x55 drop-in electric grooved 400 V

|              |                 |          |
|--------------|-----------------|----------|
| <b>Model</b> | <b>SAP Code</b> | 00007462 |
|--------------|-----------------|----------|



- Top type: Grooved
- Griddle dimensions [mm x mm]: 600 x 600
- Griddle thickness [mm]: 14.00
- Worktop material: Stainless steel
- Grid size [mm x mm]: 450 x 595
- Container for liquid fat: Yes
- Maximum device temperature [°C]: 300
- Removable rim: Yes

|                            |          |                                     |   |
|----------------------------|----------|-------------------------------------|---|
| <b>SAP Code</b>            | 00007462 | <b>Loading</b>                      | 400 V / 3N - 50 Hz                        |
| <b>Net Width [mm]</b>      | 600      | <b>Griddle dimensions [mm x mm]</b> | 600 x 600                                 |
| <b>Net Depth [mm]</b>      | 600      | <b>Grid size [mm x mm]</b>          | 450 x 595                                 |
| <b>Net Height [mm]</b>     | 220      | <b>Top type</b>                     | Grooved                                   |
| <b>Net Weight [kg]</b>     | 45.00    | <b>Worktop type</b>                 | Molded - comfortable cleaning maintenance |
| <b>Power electric [kW]</b> | 6.000    |                                     |   |

# Technical data sheet

Technical drawing

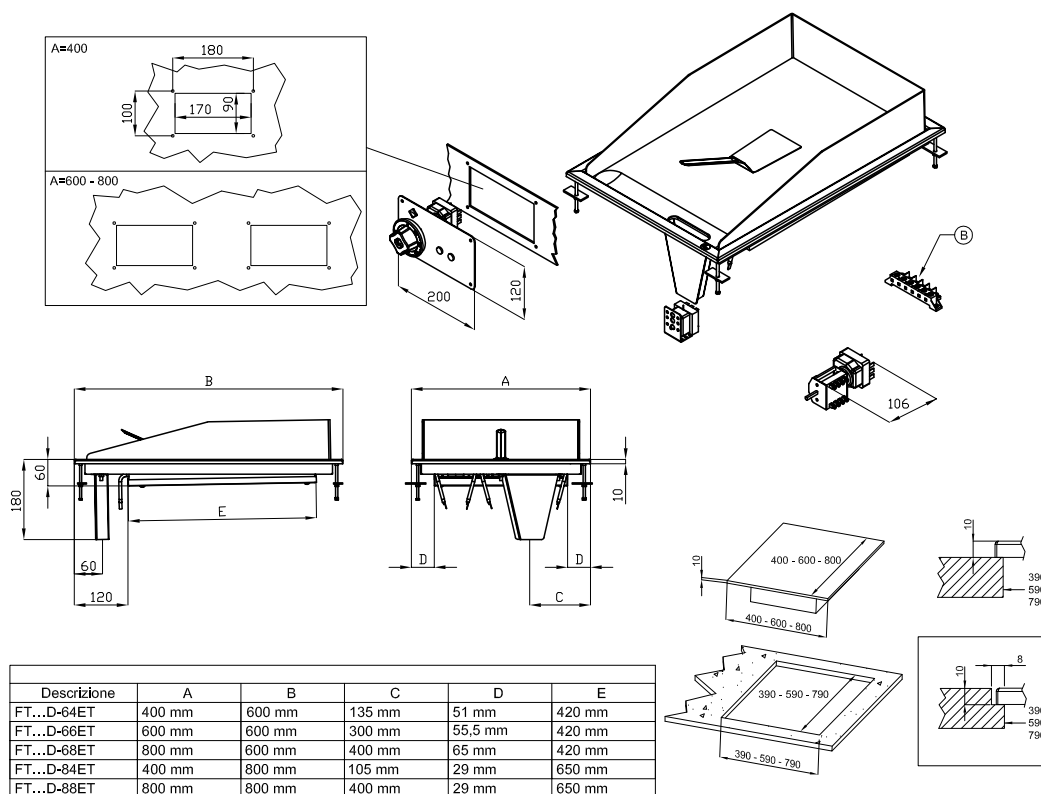


## Fry-top griddle plate 56x55 drop-in electric grooved 400 V

Model

SAP Code

00007462



|   |            |  |   |                       |  |
|---|------------|--|---|-----------------------|--|
| A | Data plate |  | B | Electrical connection |  |
|---|------------|--|---|-----------------------|--|

# Technical data sheet

## Product benefits



### Fry-top griddle plate 56x55 drop-in electric grooved 400 V

Model

SAP Code

00007462

1

#### All-stainless design

long life  
resistance of AISI 304 stainless steel material  
the material does not cut

- savings on service interventions
- easier and faster operation

2

#### Degree of protection of the control elements IPX5

maintenance-free system  
resistance to splash water  
long life

- savings on service interventions
- easy cleaning and maintenance of equipment

3

#### Built-in cooking unit

variable use  
the possibility of placement in smaller spaces

- easy handling
- cost savings on substructure

4

#### High detachable hem

better hygienic conditions  
preventing grease from splashing onto  
ancillary equipment

- easy maintenance
- easy cleaning

5

#### Ribbed steel plate

fast heat transfer and the surface will not be scratched  
a good warming of the meat with a groove

- time-saving in food preparation
- easy preparation of good-looking food

# Technical data sheet

Technical parameters



## Fry-top griddle plate 56x55 drop-in electric grooved 400 V

| Model | SAP Code | 00007462 |
|-------|----------|----------|
|-------|----------|----------|

**1. SAP Code:**

00007462

**2. Net Width [mm]:**

600

**3. Net Depth [mm]:**

600

**4. Net Height [mm]:**

220

**5. Net Weight [kg]:**

45.00

**6. Gross Width [mm]:**

730

**7. Gross depth [mm]:**

630

**8. Gross Height [mm]:**

470

**9. Gross Weight [kg]:**

50.00

**10. Device type:**

Electric unit

**11. Construction type of device:**

Drop-in

**12. Power electric [kW]:**

6.000

**13. Loading:**

400 V / 3N - 50 Hz

**14. Protection of controls:**

IPX5

**15. Device color:**

Stainless steel

**16. Material:**

Stainless steel

**17. Indicators:**

operation and warm-up

**18. Worktop type:**

Molded - comfortable cleaning maintenance

**19. Worktop material:**

Stainless steel

**20. Worktop Thickness [mm]:**

14.00

**21. Standard equipment for device:**

comes with a stainless steel scraper for cleaning pastries

**22. Maximum device temperature [°C]:**

300

**23. Minimum device temperature [°C]:**

50

**24. Number of power control stages:**

2

**25. Service accessibility:**

Trough the frontal panel

**26. Safety thermostat:**

Yes

**27. Griddle dimensions [mm x mm]:**

600 x 600

**28. Griddle thickness [mm]:**

14.00

# Technical data sheet

Technical parameters



**Fry-top griddle plate 56x55 drop-in electric grooved 400 V**

**Model**

**SAP Code**

00007462

**29. Container for liquid fat:**

Yes

**31. Grid size [mm x mm]:**

450 x 595

**30. Removable rim:**

Yes

**32. Top type:**

Grooved